

evonicfires

quality electric fires built in britain

Installation & User Instructions:

**Model: Arizona/Broadway/Corsano/Compton/Compton1000/Corbiere/Empire
/Newark/Newark1000/Qube/Tribeca**

**Once installed, the installer should take the appropriate steps
To ensure that the user understands how the appliance operates and
Should make the customer aware of the fires/suite basic servicing requirements.**



IMPORTANT INFORMATION

All Evonic Fires Ltd products meet the requirements of the EC Directives 2004/108/EC and 2006/95/EC. These directives have been met by compliance with the following standards:

BS EN 60335-1:2002

BS EN 60335-2-30:2003

BS EN 6100-6-3:2001

Please read these instructions before installation or use and keep this booklet handy for future reference.

Safety:

This appliance is not intended for use by persons (including children) with reduced physical, sensory or mental capabilities, or lack of experience and knowledge, unless they have been given supervision or instruction concerning the use of the appliance by a person responsible for their safety.

Children should be supervised to ensure that they do not play with the appliance.

General Warnings:

Never leave children unsupervised with an unguarded heater.

Never obstruct or cover the heater outlet.

Never install or use this product where it may come in contact with water i.e. a bathroom or wet room.

Never use aerosols or steam cleaners near this product.

Never route the electric cable near the heater outlet.

Never route the electric cable under carpets or floor coverings.

Never install this product close to curtains or combustible materials.

Never Use the heater to dry clothes or other objects.

Never remove the fireplace surrounding without isolating the electric supply.

Important electrical safety:

This appliance must never be installed above or in front of a fixed electric socket.

The electrical socket must be easily accessible to isolate the supply during maintenance and cleaning.

This appliance is supplied with a two meter power lead, which has a moulded three pin socket to connect to the appliance power inlet plug and a moulded three pin 13 amp-fused plug to connect to your electric wall socket.

This appliance must always be earthed. If in any doubt consult a suitably competent person.

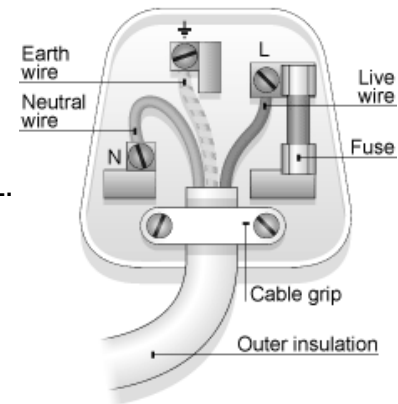
Replacement plug: (Please note that it may invalidate your warranty if the moulded plug is removed)

This appliance must only be connected to a 230/240 Volts AC 50Hz supply. Before connecting the fire, check that the supply voltage is the same as stated on the fire. This appliance must only be used on a AC supply, fuse rating 13Amp. The wires in the mains lead are coloured in accordance with a standard UK supply, these being:

GREEN/YELLOW – EARTH
BLUE – NEUTRAL
BROWN – LIVE

As the colours of the mains lead of this appliance may not match the coloured markings used to identify the terminals in a plug, please observe the following:

- The green and yellow wire must be connected to the terminal in the plug which is marked with the letter E or the earth symbol.
- The blue wire must be connected to the terminal in the plug marked with the letter N.
- The brown wire must be connected to the terminal in the plug marked with the letter L.
- If the plug is damaged, replace or consult a qualified electrician.
- Replace fuses only with fuses of the correct size and rating.



Servicing:

Only a competent person should service this appliance.

We recommend that this appliance is serviced every 12 months.

Warning: Before carrying out any repairs or servicing, ensure that the power supply cord is removed from the mains supply.

OPERATING INSTRUCTIONS

The appliance can be operated manually using the rocker switch to the right of the heater outlet, or by remote control. (Please note that remote control is an optional extra.)

To operate, first press the right master switch (located on the right underside of the flame aperture of the product) which is marked (O/I) to the (I) position then perform the following actions:

FLAME EFFECT ONLY (NO HEAT)

Manual – Press the rocker switch on the appliance once.

Remote – Press the button marked  on the remote handset.

FLAME EFFECT WITH 1Kw OF HEAT

Manual – Press the second rocker switch on the appliance to the (I) position.

Remote – Press the button marked  on the remote handset.

FLAME EFFECT WITH 2Kw OF HEAT

Manual – Press the third rocker switch on the appliance to the (II) position.

Remote – Press the button marked  on the remote handset.


STANDBY MODE – NO HEAT OR FLAME EFFECT

Manual – Press the first rocker switch on the appliance to the (O) position.

Remote – Press the button marked  on the remote handset.

FLAME EFFECT – DIMMER FUNCTION (THIS FUNCTION IS ONLY AVAILABLE ON EVO-FLAME MODELS ONLY)

Manual – N/A No dimmer function on a manual control product.

Remote – Press the button marked  on the remote handset once, and then again to stop the dimmer at the desired setting.

INSTALLATION

To install the following models –

Arizona,Boardway,Corsano,Compton,Compton1000,Empire,Newark,Newark1000,Qube,Tetris,Volante – please see below:

Each model is provided with a wall mounting bracket along with x5 screws and wall plugs.

PLEASE NOTE: The screws and plugs provided are only suitable for a solid wall fixing.

If the installation is onto a hollow/stud wall, Evonic Fires Ltd recommends that heavy duty wall anchors or equivalent are used.

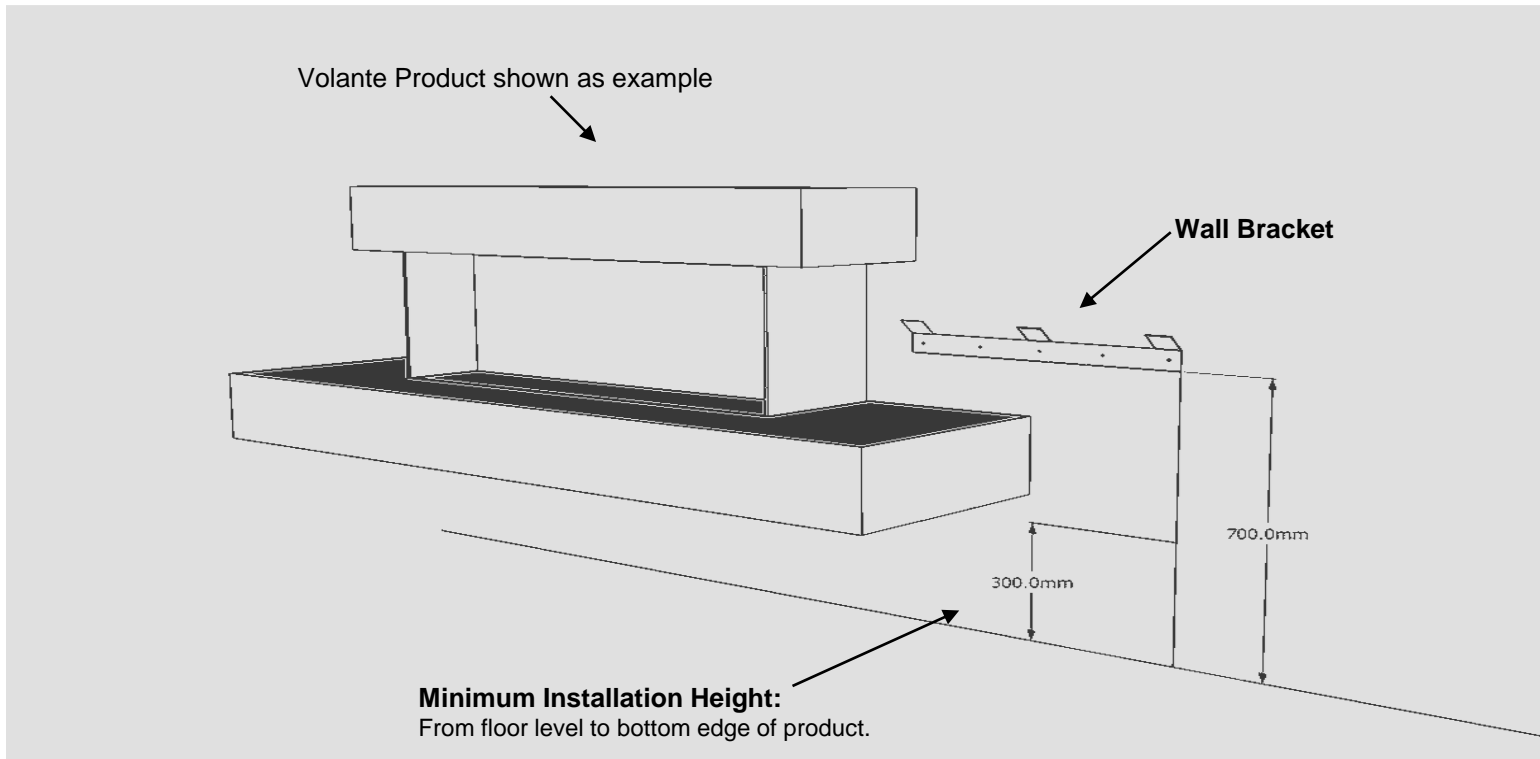
The product can be installed at height as long as it is not below the recommended 300mm, from floor level to the bottom edge of the product.

To install the product:

1. Measure 700mm from the floor level up the wall, Mark this measurement with a pencil.
2. Place the bottom edge of the wall bracket on the 700mm mark, level using a spirit level and mark and drill the x5 fixing holes.
3. Using the correct wall fixings screw and fix the wall bracket in place.
4. Locate the x3 slots in the rear of the product, carefully align these slots with the prongs on the wall bracket, lift and slot the product into place.
5. Locate the power cable socket on the bottom right hand side, underneath the hearth on the fire, and plug the power lead in.
6. The product is now ready to use.

INSTALLATION:

(Please be aware: that no products should be sealed against the wall/opening as this can effect the performance of the heater unit. This also includes Cordelia/Portia Products.)



This suite is supplied with a wall fixing Bracket.

The suite can be installed at any height as long as it is not below the recommended 300mm. (Please note the 700mm measurement is given as a common installation height).

(Please note that the fixing kit provided is only suitable for solid wall fixing, Evonic Fires Ltd recommends that heavy duty wall anchors or equivalent are used when installing on to hollow/studded walls).

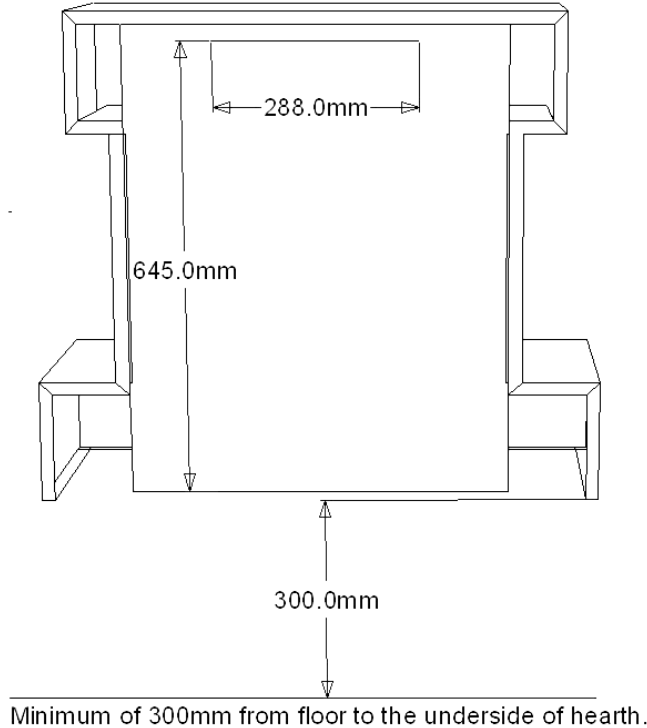
The recommended installation height is a minimum of 300mm from the floor level to the underside of the hearth.

(Warning: Installing this product below 300mm will cause overheating issues).

The suite is designed as a wall mounted suite; it is not suitable to be installed at floor level.

Installation: Octane/Veyron Suite.

(Please be aware: that no products should be sealed against the wall/opening as this can effect the performance of the heater unit.)



Fixing point measurements:

645mm From the Base of the suite to the centre of the keyhole slot.

288mm between the keyhole slots.

Simply Fix the 2x screws/Wall anchors in at the desired height and locate Keyhole slots on the rear of the suite.

The suite is then to be suspended of these fixings.

This suite is supplied with a wall fixing Kit:

This consists of 2x Screws, 2x wall plugs. The suite can be installed at any height as long as it is not below the recommended 300mm. (Please note the 605mm measurement is given as a common installation height).

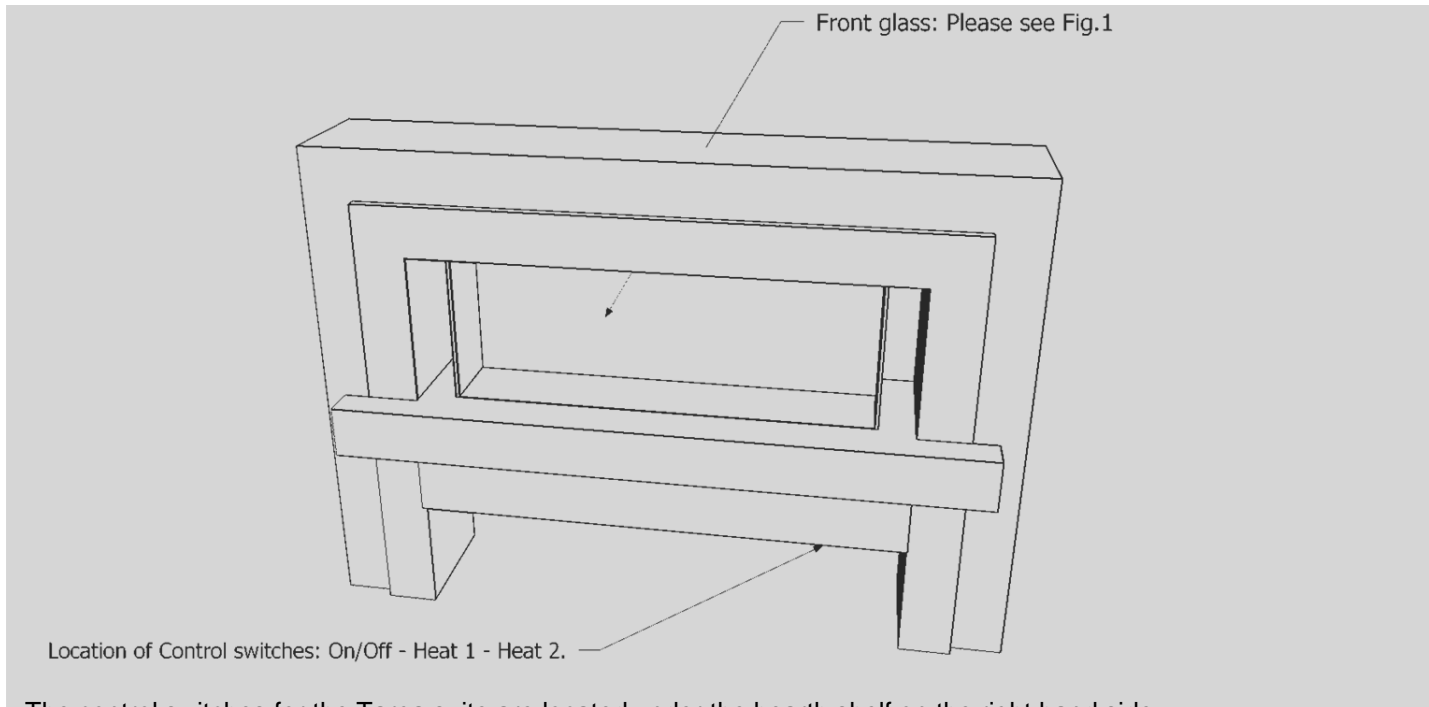
(Please note that the fixing kit provided is only suitable for solid wall fixing, Evonic Fires Ltd recommends that heavy duty wall anchors or equivalent are used when installing on to hollow/studded walls).

The recommended installation height is a minimum of 300mm from the floor level to the underside of the hearth. **(Warning: Installing this product below 300mm will cause overheating issues).**

The suite is designed as a wall mounted suite; it is not suitable to be installed at floor level. (Minimum height should be 300mm from the floor to underside of suite).

Installation: Targa Suite

(Please be aware: that no products should be sealed against the wall/opening as this can effect the performance of the heater unit.)



The control switches for the Targa suite are located under the hearth shelf on the right hand side.

Fig.1 = To remove the glass from the targa suite simply lift from both sides, and pull towards you once the glass has cleared the hearth/shelf.

(Please be aware: never obstruct the opening where the control switches are located as this can impair the heater unit.

MAINTENACE

Replacing the bulbs:

(Please ensure that the appliance is disconnected from the mains supply before proceeding).

(Please note that the below steps do not apply to EVO-FLAME products).

Models: Volante/Panamera/Tetris/Targa

The suite uses x2 – STD Bayonet 20W Energy saving lamps.

(Tetris/Targa Models: Remove glass, To remove the glass simply lift clear of the hearth and pull out from the bottom.)

To change the bulbs in the suite you must first remove all pebbles,coals,logs or embers from the orange fuel bed.

Locate and remove x2 screws to the left and right of the fuel bed.

Lift off the orange fuel bed to reveal the x2 bulbs.

Replacement bulbs should be 20w energy saving std bayonet.

Reverse the above process.

Models: Octane/Veyron

Ensure that the Fire/suite is switched off at the mains supply.

Locate three screws, located along the front edge of the grey/black blanking plate at the bottom of the suite.

Unscrew and remove the blanking plate to reveal the bulb(s).

Replace with a 20w low energy bayonet bulb(s).

Reverse the above process.

Models: Cordelia/Portia

Ensure that the Fire/suite is switched off at the mains supply.

Remove all fuels, Pebbles, coals, logs from the orange fuel bed, locate and unscrew two screws on the left and the right of the orange fuel bed.

Lift off orange fuel bed to reveal the bulb(s) and replace with a 9watt low energy bayonet bulb(s).

Reverse the above process.

Model: Broadway/Corsano/Compton/Empire/Nitro/Patriot/Qube/Tribeca (EVOFLAME & EVO3D PRODUCTS)

This product is an EvoFlame product and will not require any bulb change.

(LED PRODUCT).

Guarantee:**Conditions of warranty:**

If this appliance should prove to be defective due to faulty design, materials or workmanship within 24 months of purchase, the product will be repaired free of charge, subject to the following conditions:

The electric fire shall have been purchased and used solely within the UK and Ireland for domestic purposes and in accordance with the Users operating instructions.

It is the purchasers responsibility to prove that the unit is under warranty, e.g. receipt of purchase.

All warranties, will be invalidated if unauthorised repairs or modifications are made to the electric fire, or in case of accident, misuse or damage caused by improper installation, or to damage occurring during transit to or from the repairer and altered or missing serial numbers.

Any parts, which have been replaced under this warranty, shall become our property.

The company shall not be liable for any consequential loss or damage what so ever, arising from or in connection with this electric fire.

This Warranty does not apply to Heating elements, Bulbs or fuses.

'No fault found', service calls and installation errors are not covered under the manufacturers warranty and will result in a charge being made for the Call-Out by our appointed service engineer.

This warranty is in addition to and does not affect the purchasers statutory rights of consumers.

Evonic Fires Ltd

1 Stour house, Clifford park, Clifford lane, Stratford-Upon-Avon, CV37 8HW

Tel: +44 (0) 1789 293868 Fax: +44 (0) 1789293080

Email: sales@evonicfires.co.uk  Follow us on Twitter @evonicfires

EXTENDED WARRANTY:

In order to qualify for an additional 12 months warranty, Please complete the form below.

This form must be submitted no later than 30 - days after the purchase of the product.

NAME:

ADDRESS:

MODEL:

SERIAL NO:

DATE OF PURCHASE:

PURCHASED FROM:

ADDRESS:

INSTALLATION DATE:

INSTALLED BY:

Please submit this form along with a copy of receipt or invoice to the below address:

PLEASE NOTE THAT WARRANTY FORMS SUBMITTED WITHOUT A COPY OF RECEIPT OR INVOICE WILL BE NIL AND VOID.

Evonic Fires Ltd

1 Stour house, Clifford park, Clifford lane, Stratford-Upon-Avon, CV37 8HW

Tel: +44 (0) 1789 263868 Fax: +44 (0) 1789293080

Email: sales@evonicfires.co.uk

Follow us on Twitter @evonicfires

